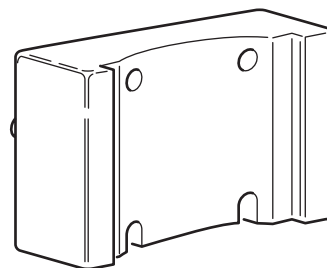
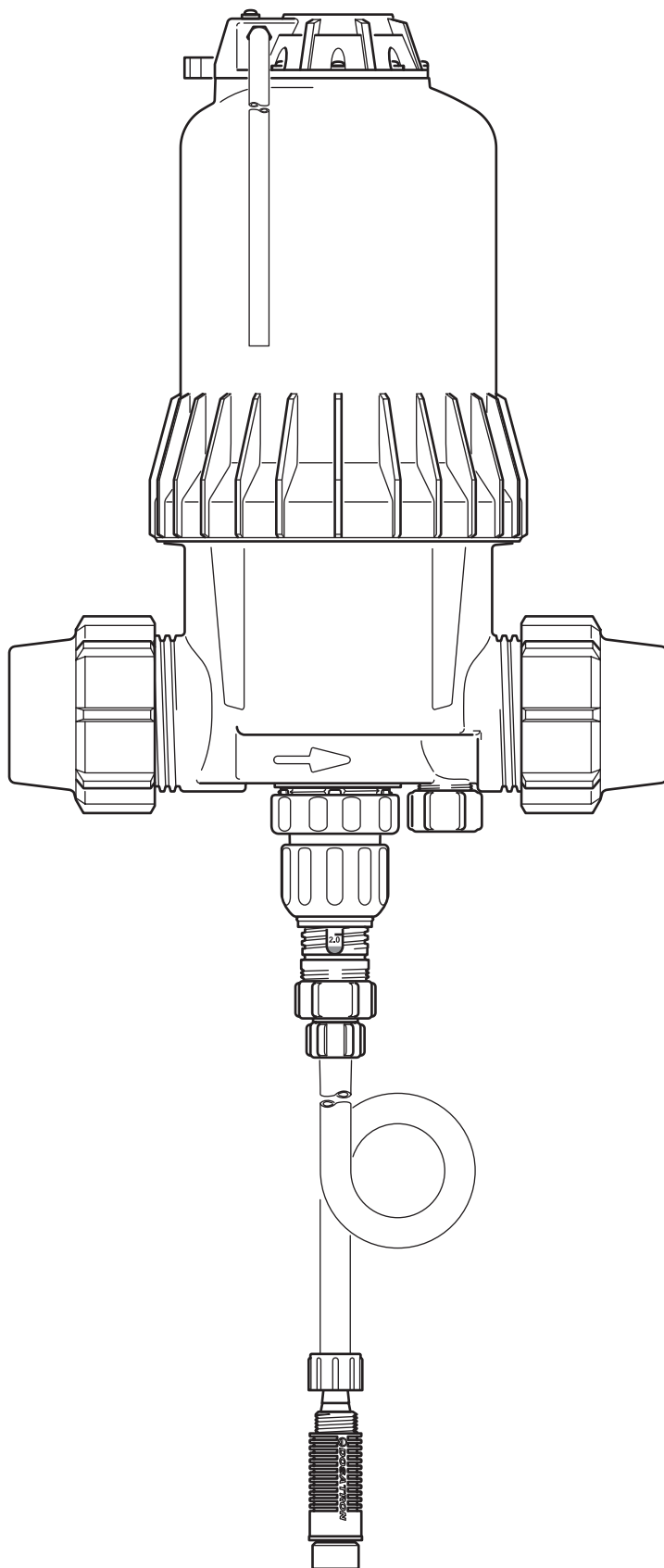


D8R

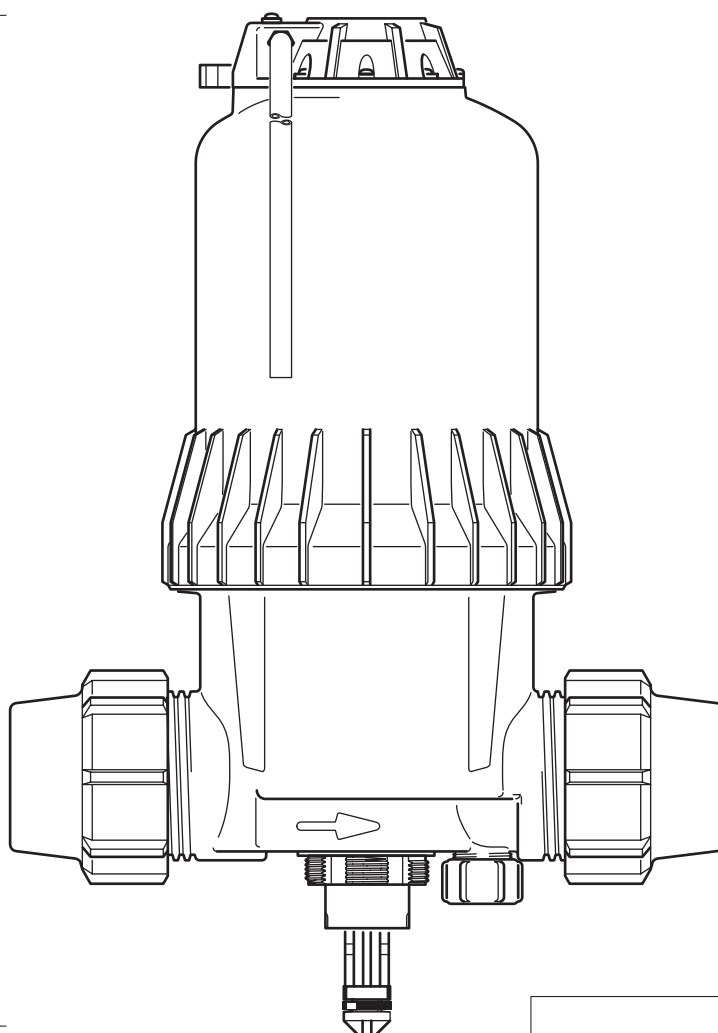
8 m³/h - 0.2 - 2%
40 GPM - 1:500 - 1:50
0.15 - 8 bar
2.2 - 116 psi



D8R

C+M

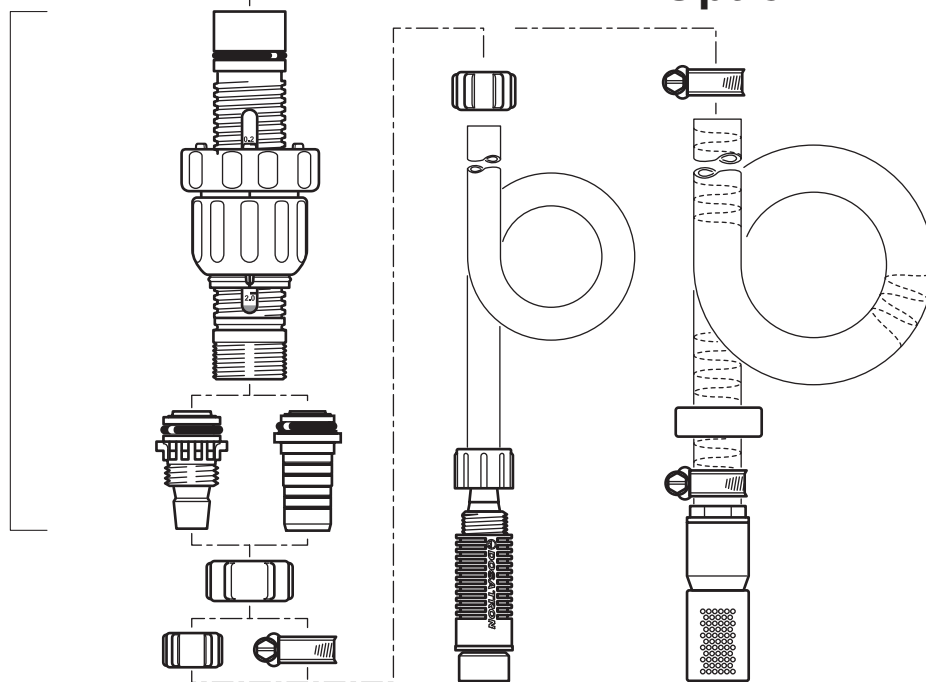
8 m³/h - 0.2 - 2%
40 GPM - 1:500 - 1:50
0.15 - 8 bar
2.2 - 116 psi



A

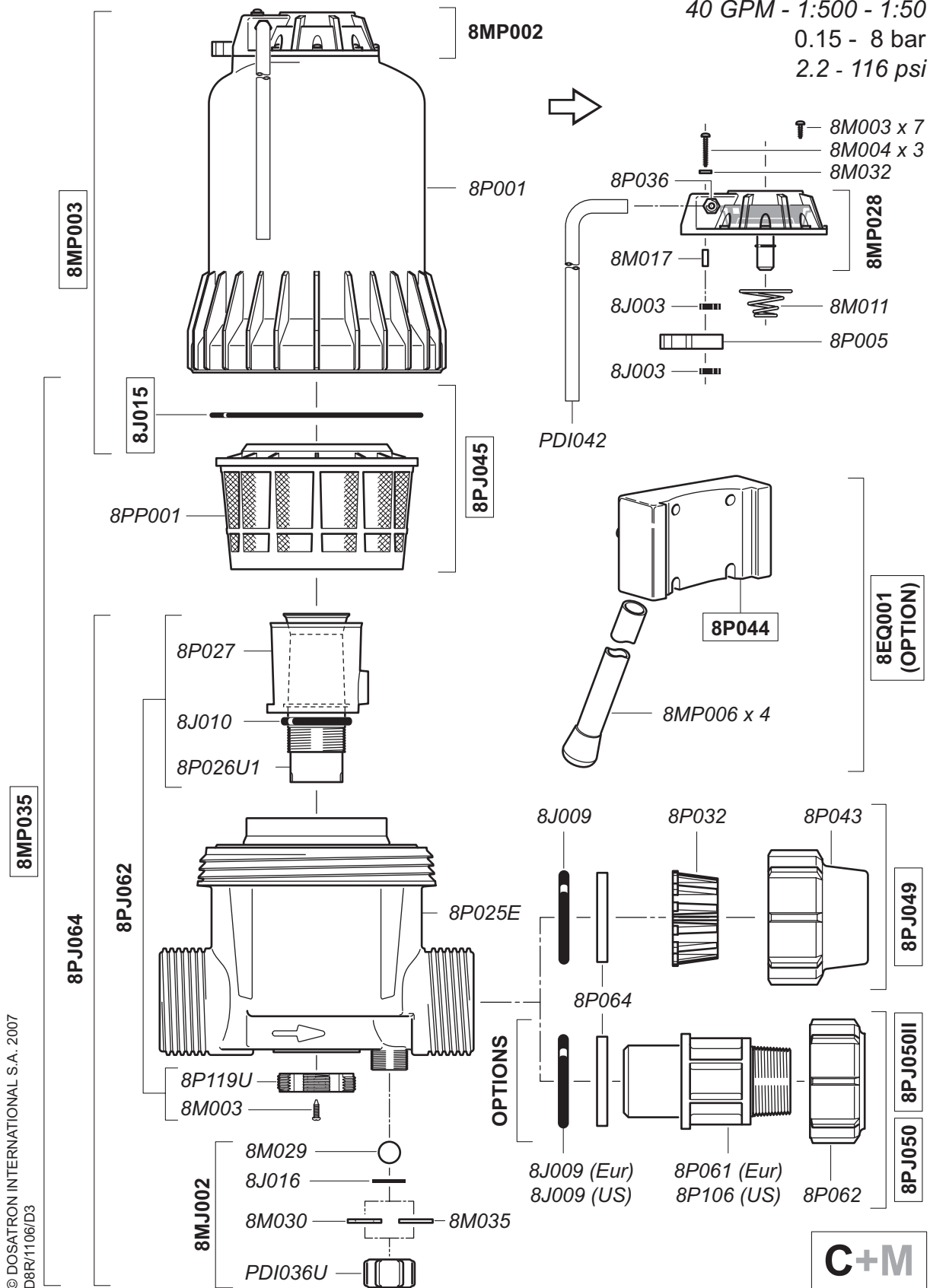
Option "V"

D



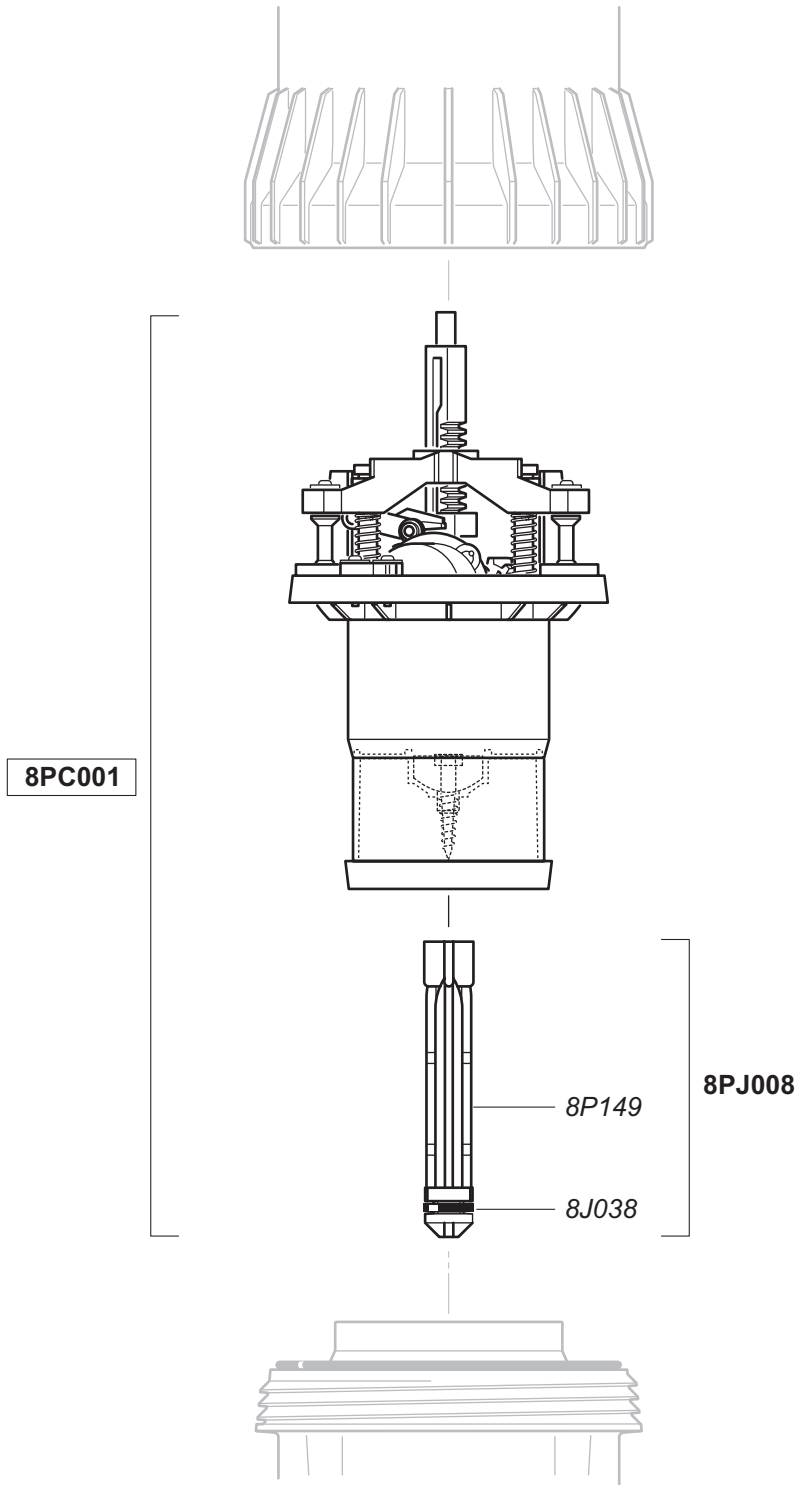
D8R

8 m³/h - 0.2 - 2%
 40 GPM - 1:500 - 1:50
 0.15 - 8 bar
 2.2 - 116 psi



D8R

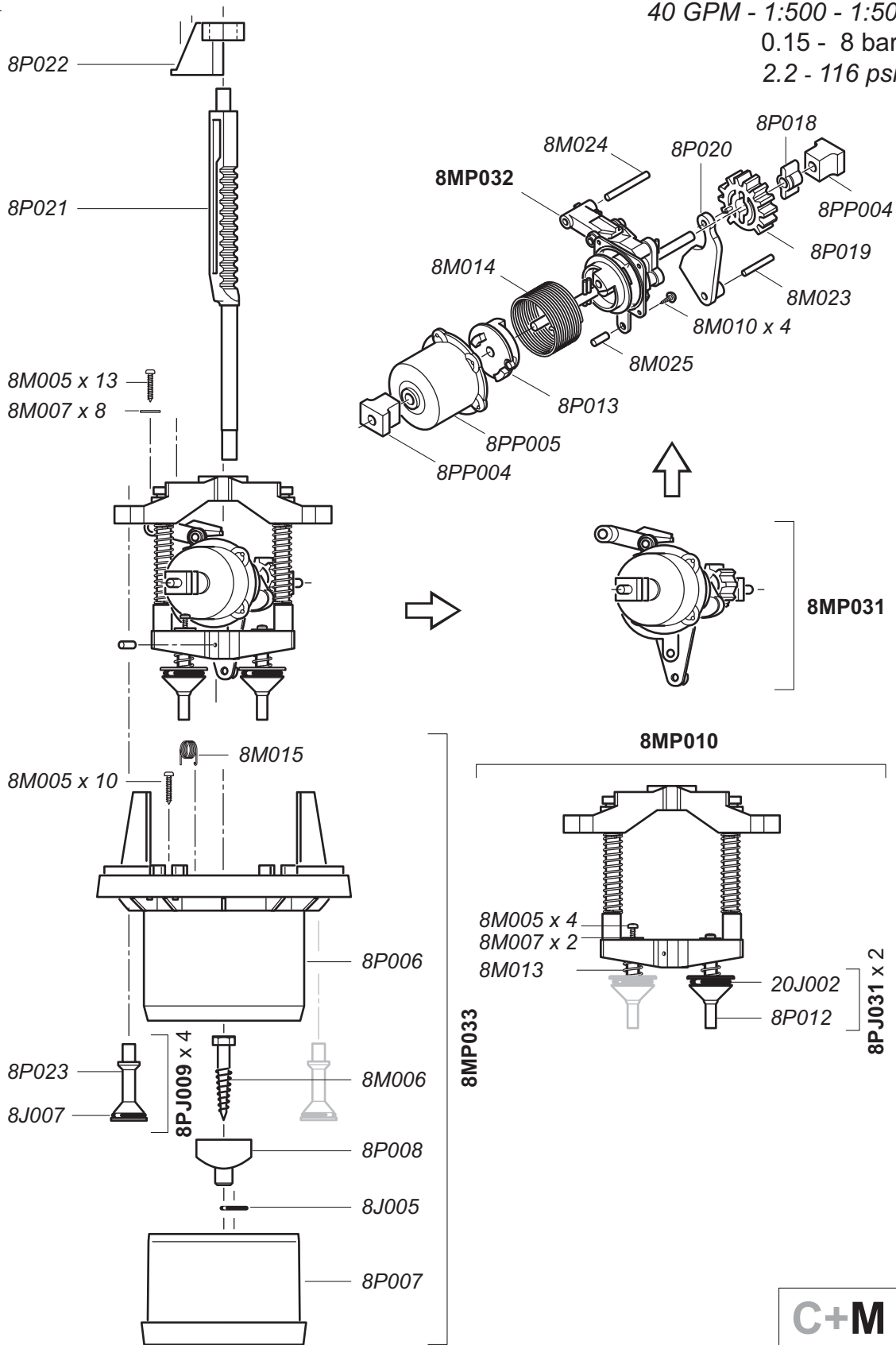
8 m³/h - 0.2 - 2%
40 GPM - 1:500 - 1:50
0.15 - 8 bar
2.2 - 116 psi



D8R

8 m³/h - 0.2 - 2%
 40 GPM - 1:500 - 1:50
 0.15 - 8 bar
 2.2 - 116 psi

8PC002

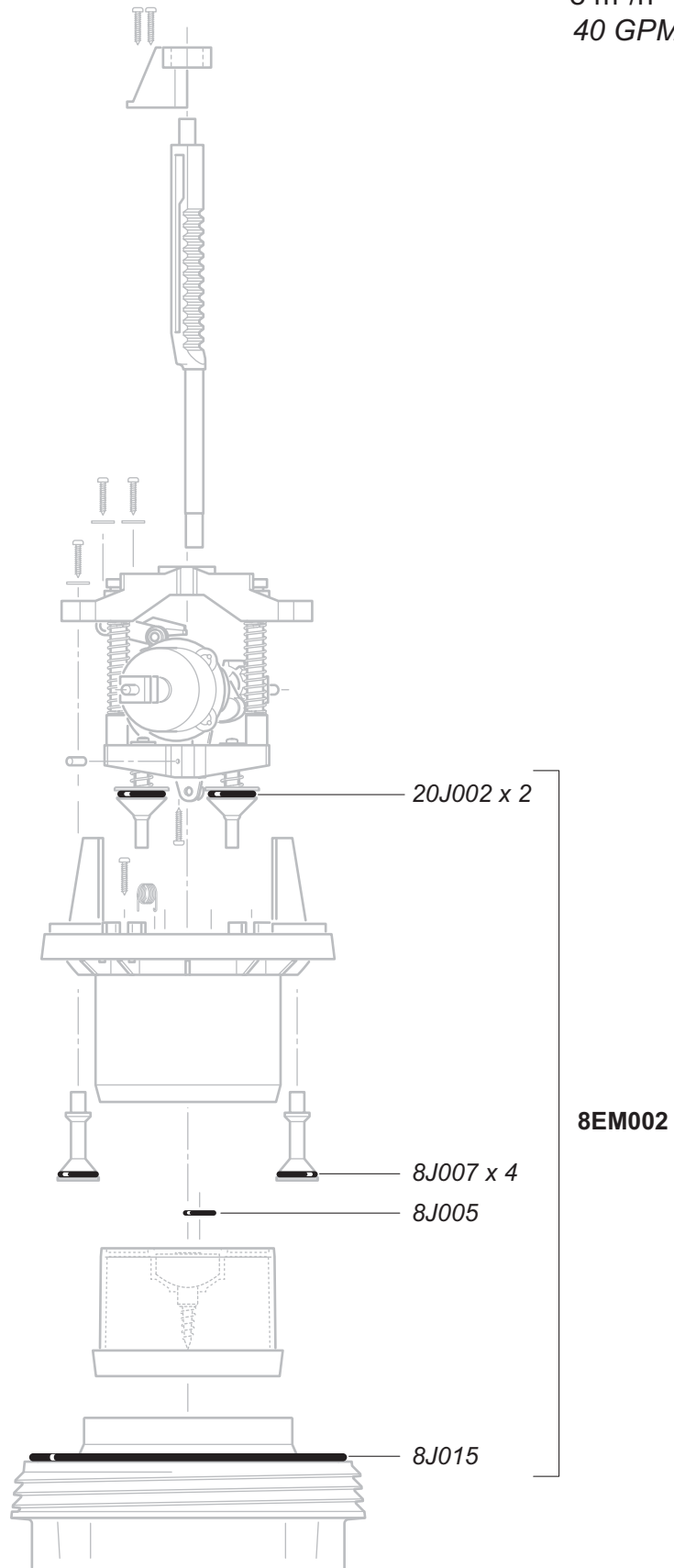


© DOSATRON INTERNATIONAL S.A. 2007
 D8R/1106/D5



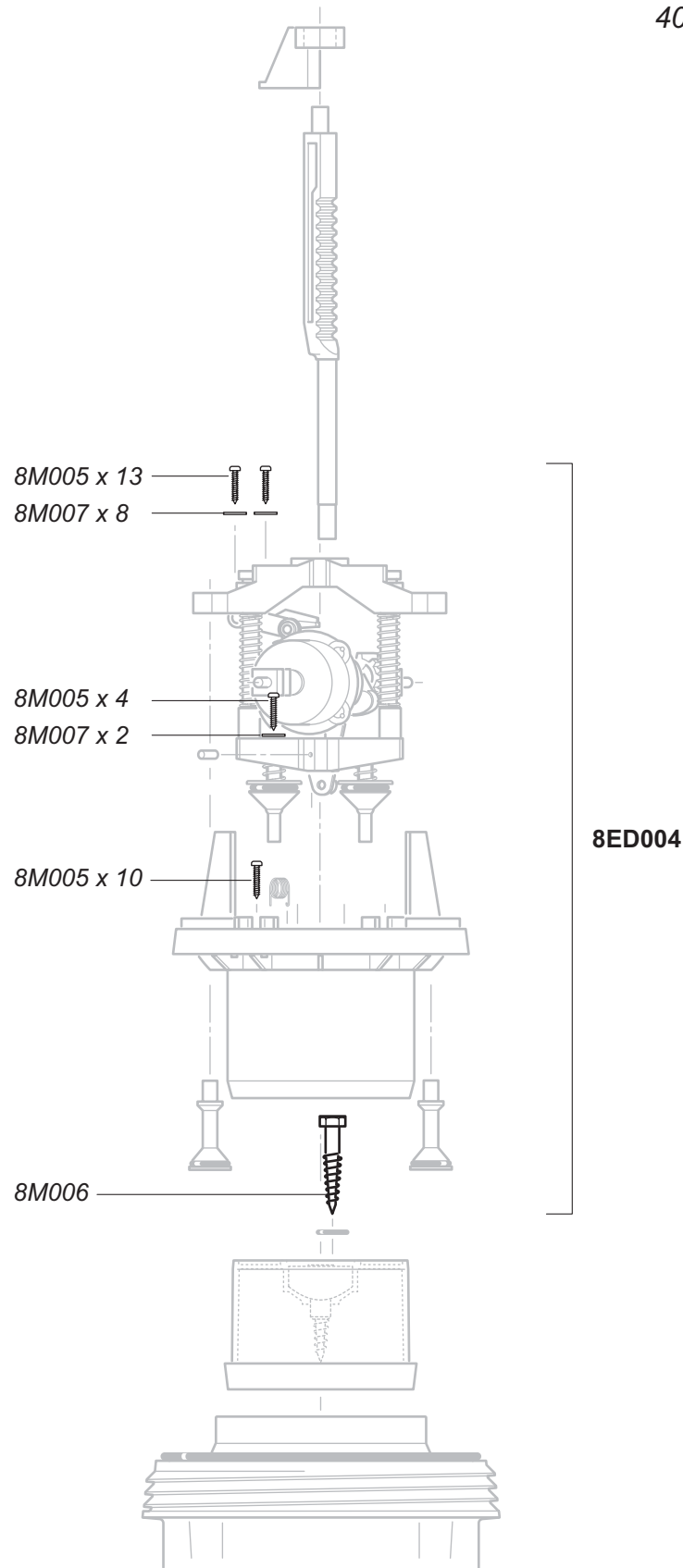
D8R

8 m³/h - 0.2 - 2%
40 GPM - 1:500 - 1:50
0.15 - 8 bar
2.2 - 116 psi



D8R

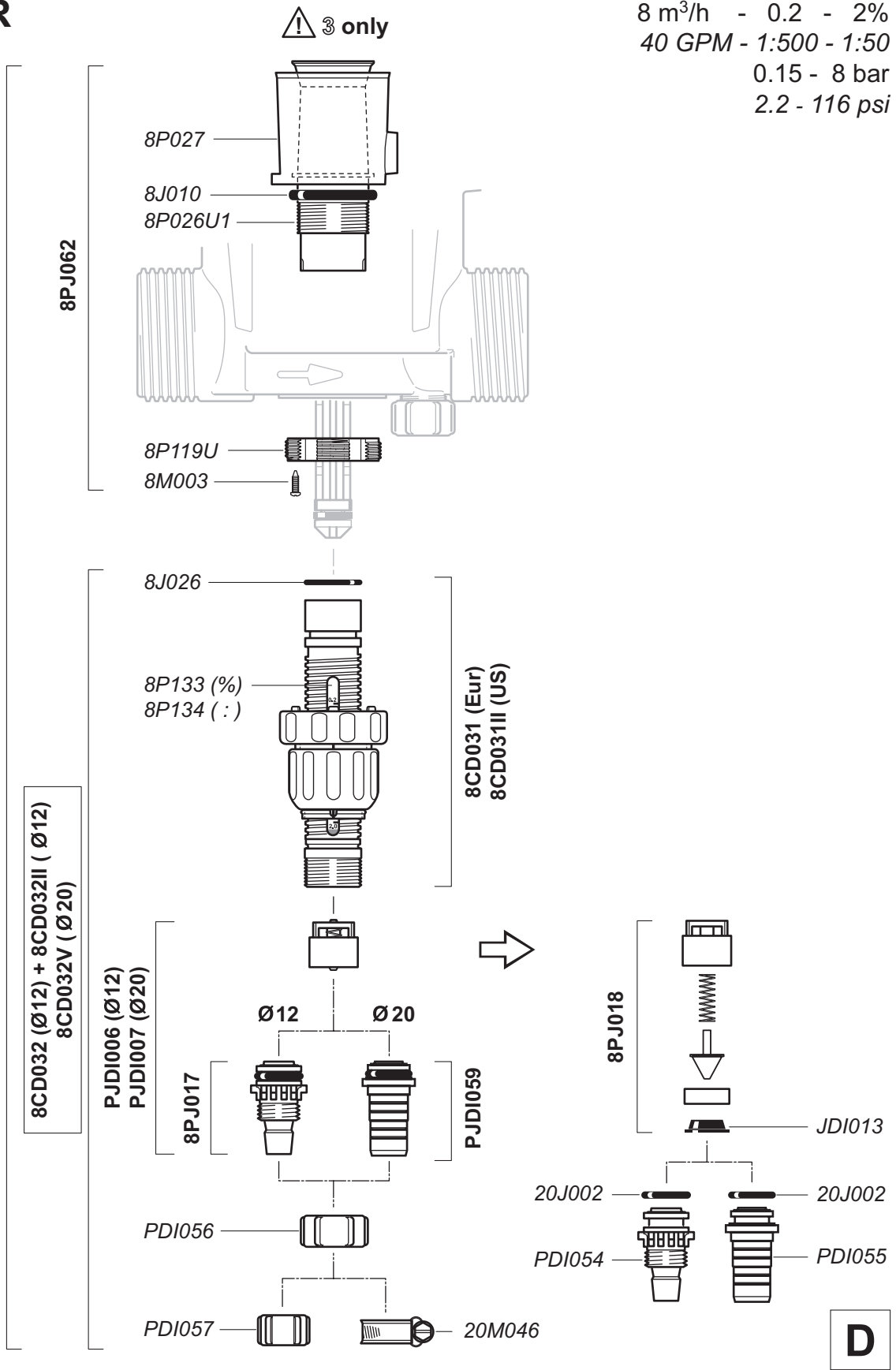
8 m³/h - 0.2 - 2%
40 GPM - 1:500 - 1:50
0.15 - 8 bar
2.2 - 116 psi



D8R

8 m³/h - 0.2 - 2%
 40 GPM - 1:500 - 1:50
 0.15 - 8 bar
 2.2 - 116 psi

© DOSATRON INTERNATIONAL S.A. 2007
 D8R/1106/D8



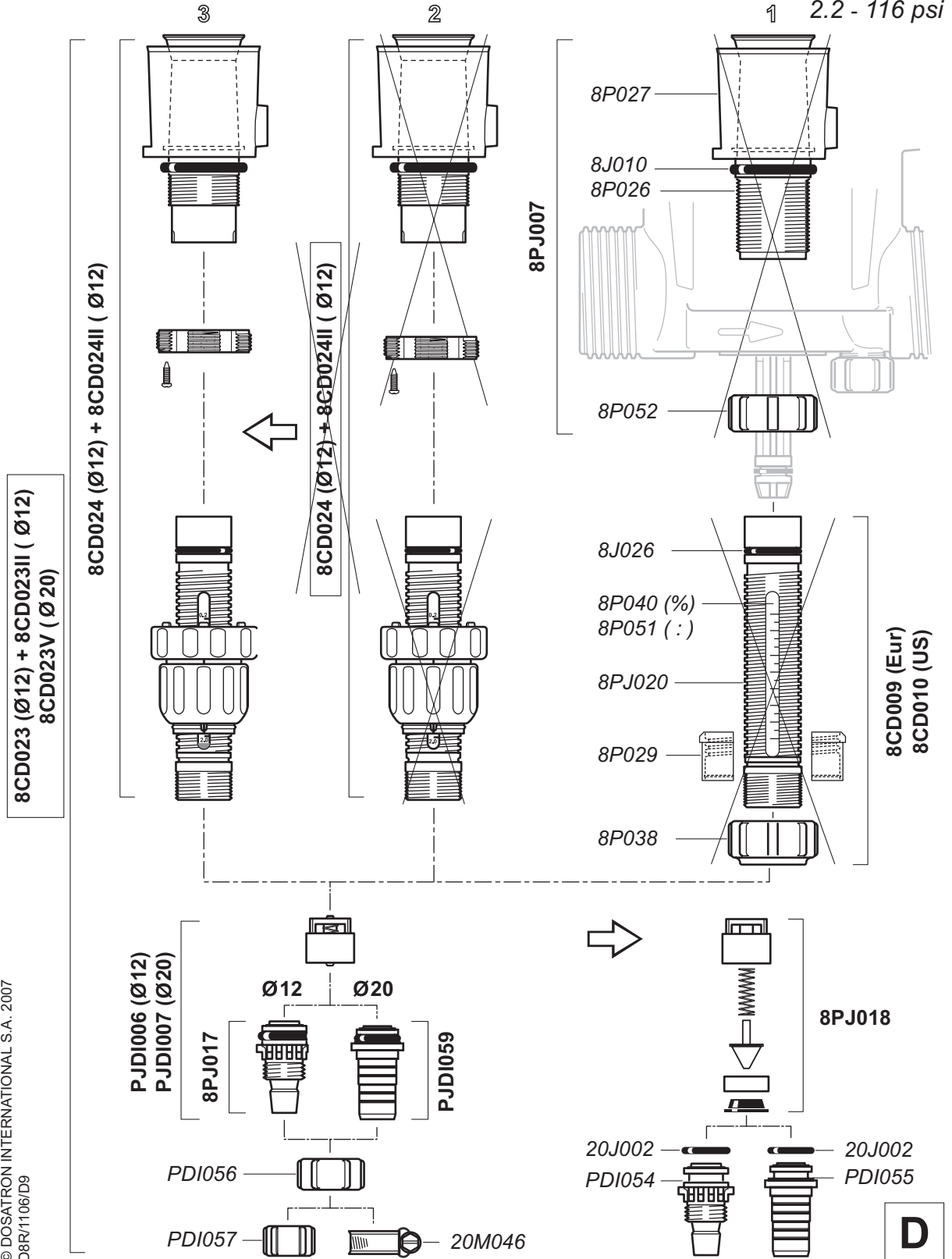
D

D8R

Export N° 0401 ... →
 France N° 04030711 →

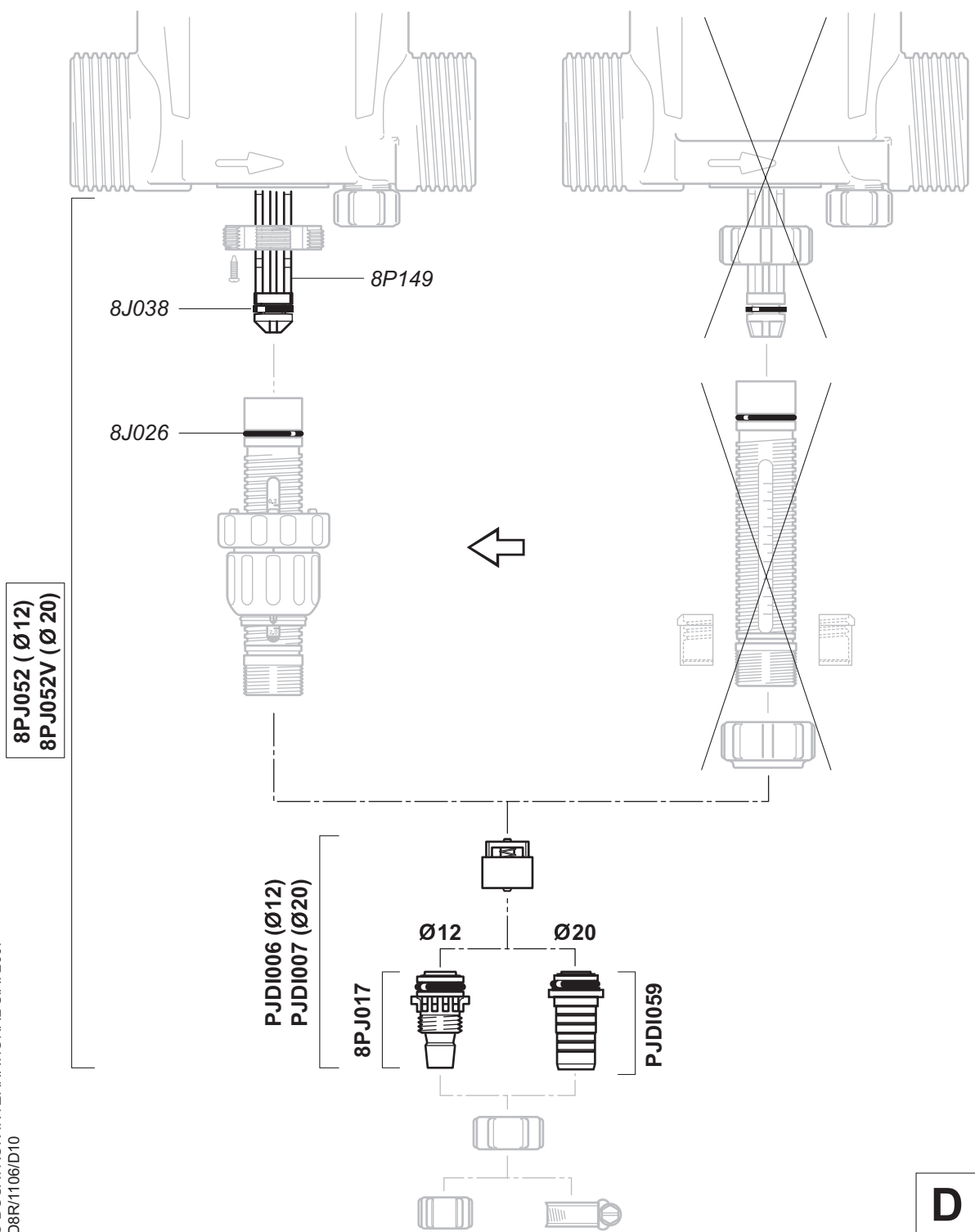
N° 03022007 →

8 m³/h - 0.2 - 2%
 40 GPM - 1:500 - 1:50
 0.15 - 8 bar
 2.2 - 116 psi



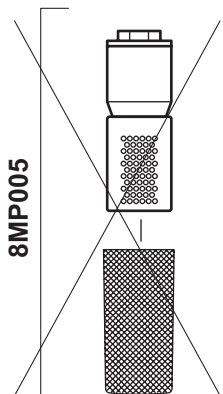
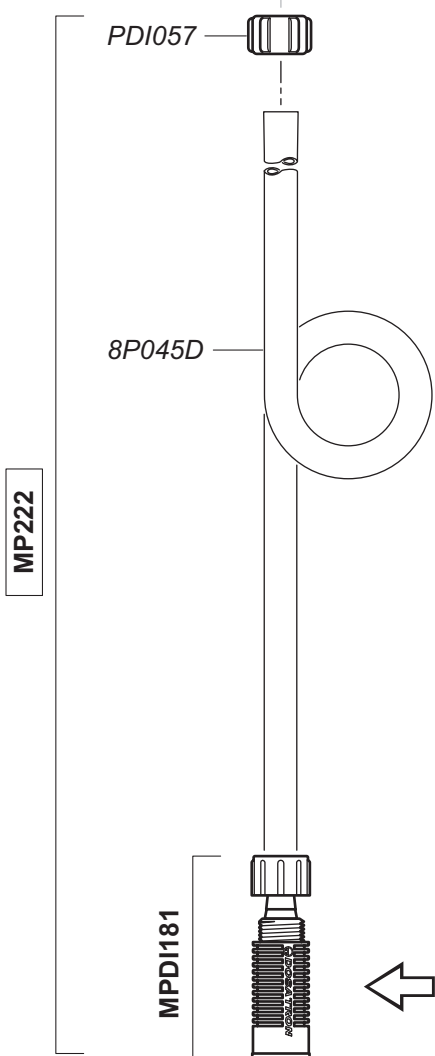
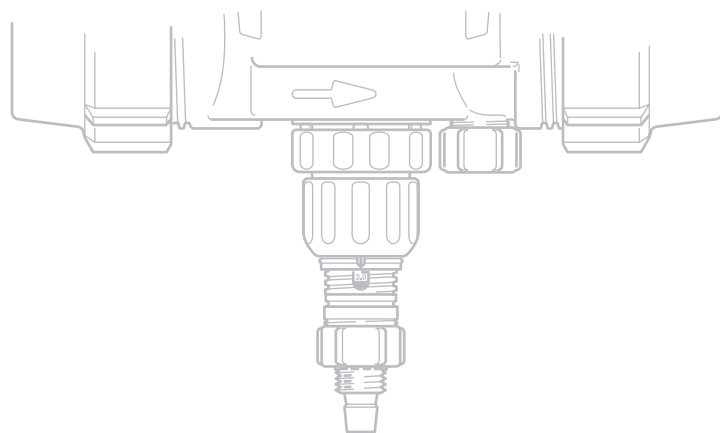
D8R

8 m³/h - 0.2 - 2%
40 GPM - 1:500 - 1:50
0.15 - 8 bar
2.2 - 116 psi



D8R

8 m³/h - 0.2 - 2%
40 GPM - 1:500 - 1:50
0.15 - 8 bar
2.2 - 116 psi



Option "V"

