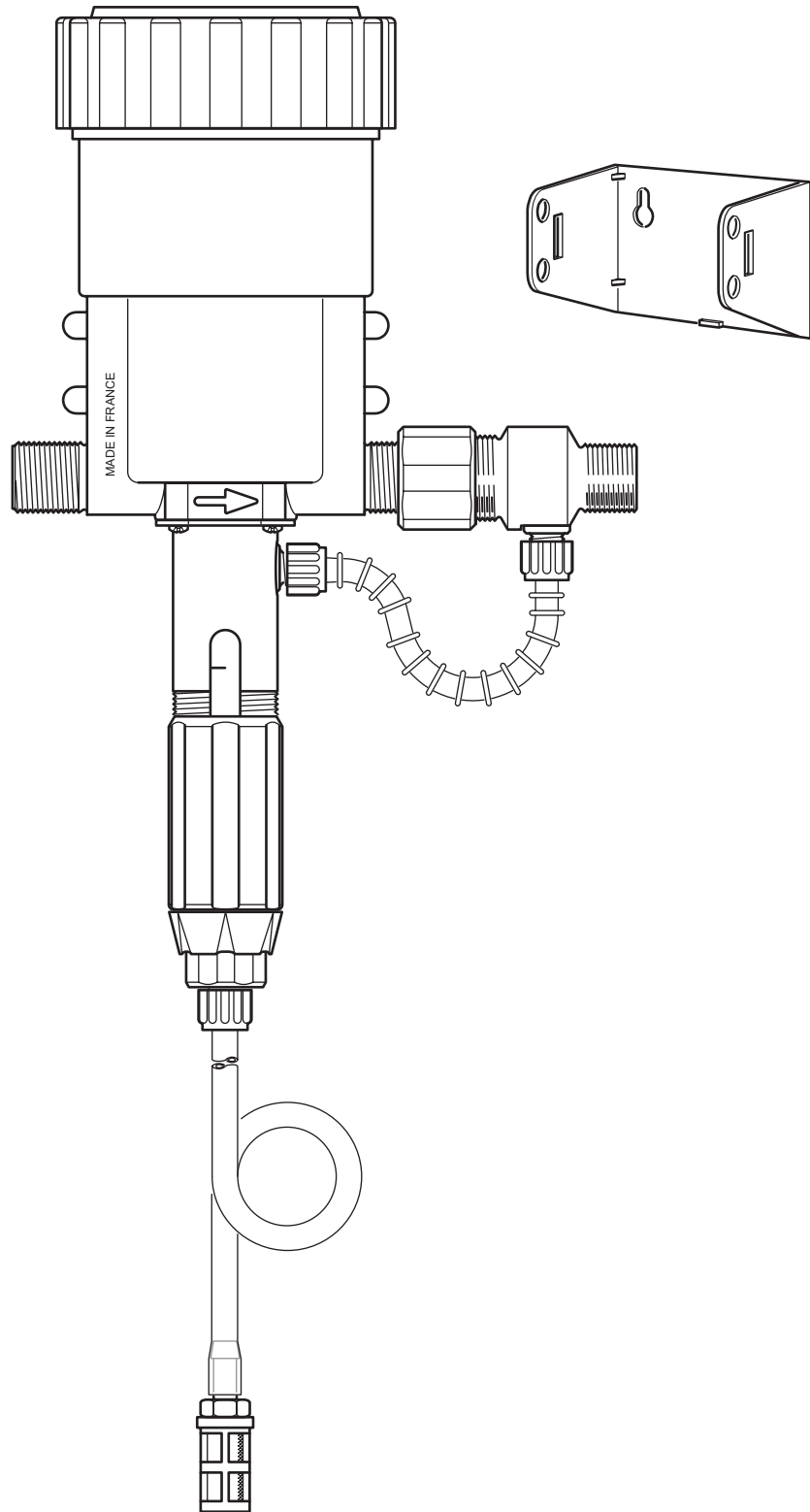


# D200RE-IE

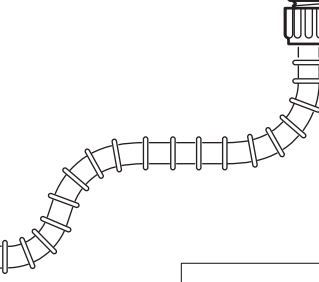
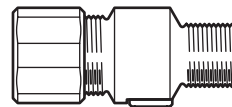
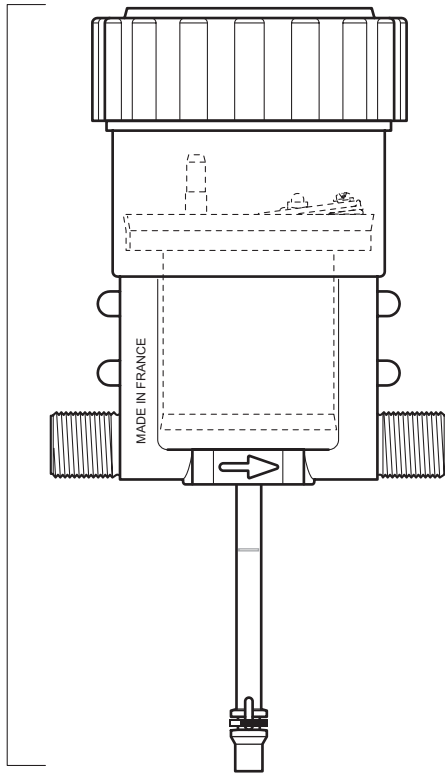
1.5 m<sup>3</sup>/h - 0.2 - 2%  
7 GPM - 1:500 - 1:50  
0.5 - 5 bar  
7 - 70 psi



# D200RE-IE

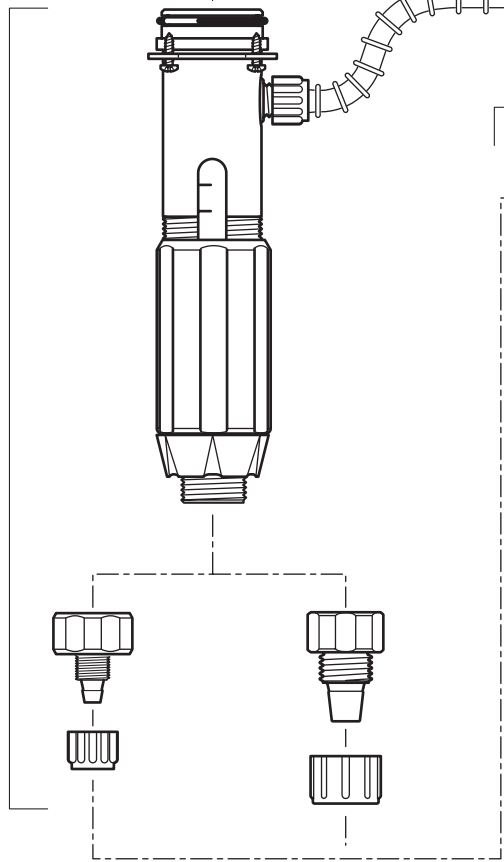
1.5 m<sup>3</sup>/h - 0.2 - 2%  
7 GPM - 1:500 - 1:50  
0.5 - 5 bar  
7 - 70 psi

**C+M**

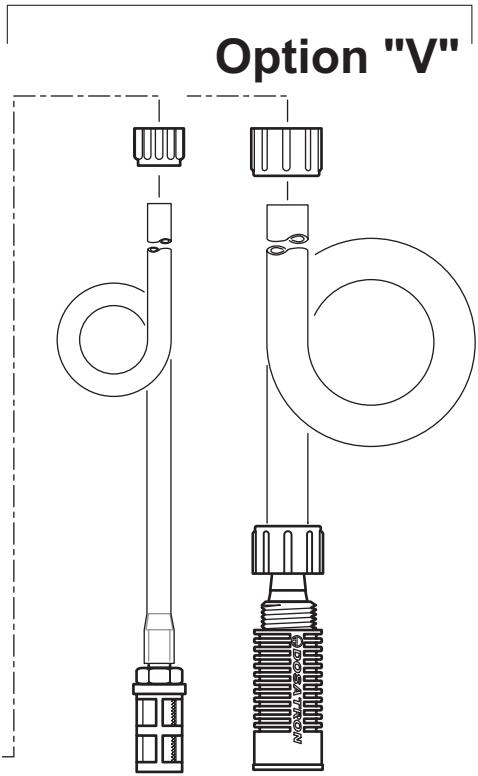


**A**

**D+IE**

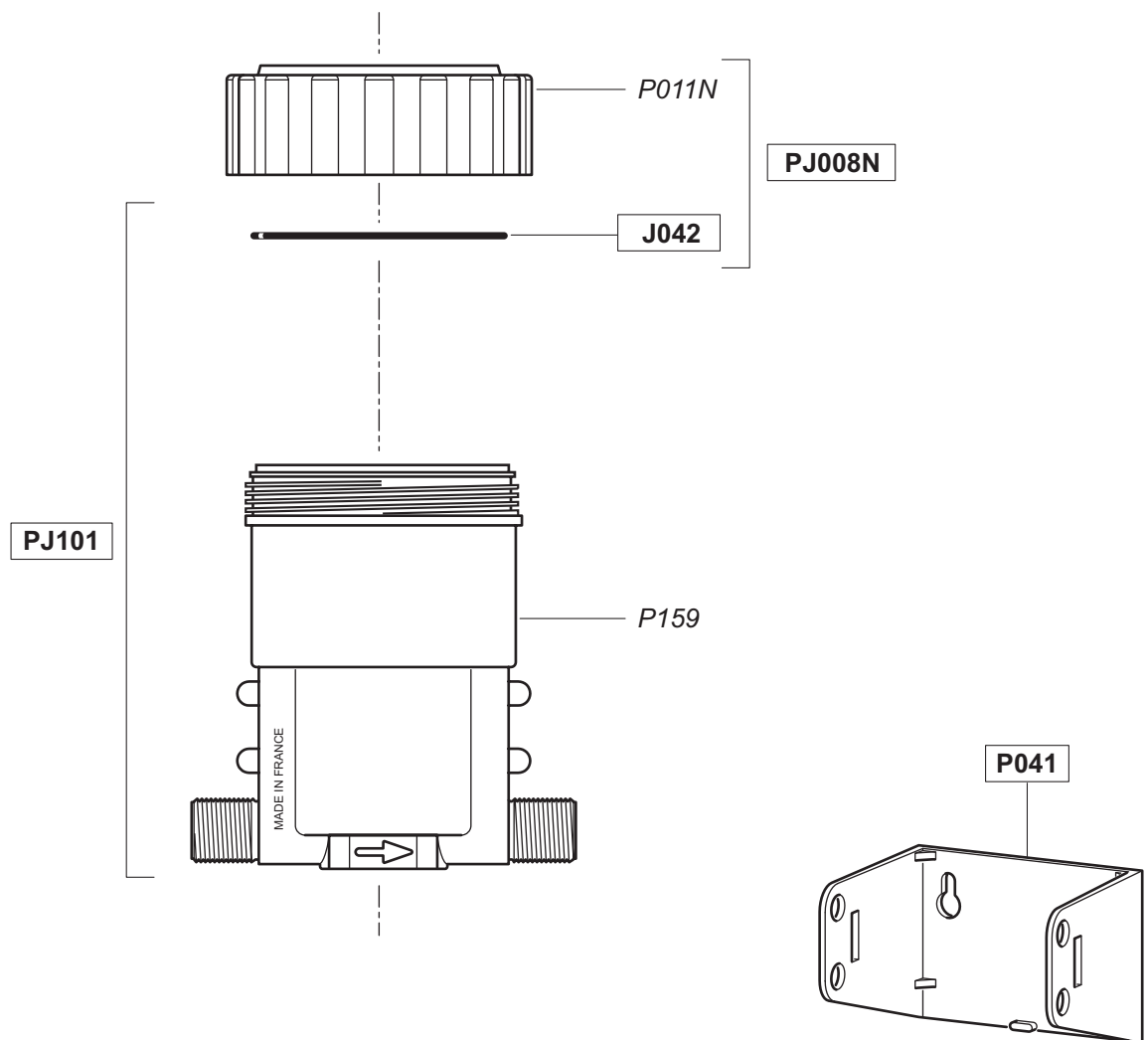


**Option "V"**



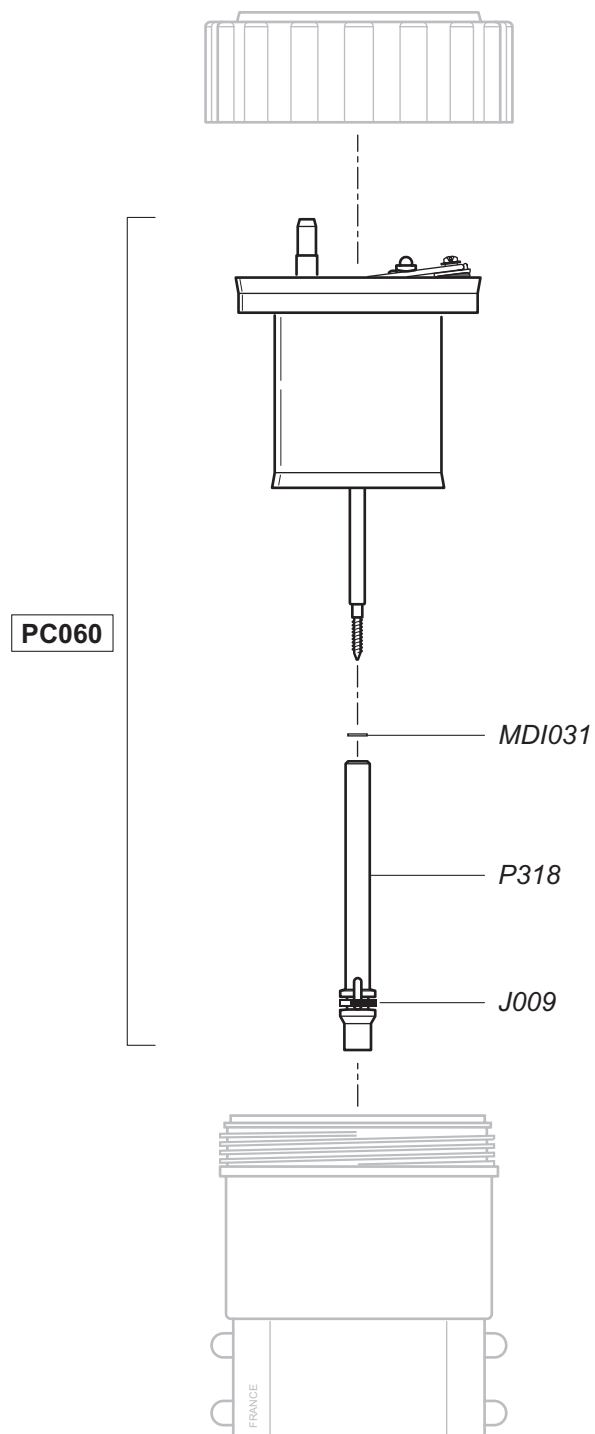
# D200RE-IE

1.5 m<sup>3</sup>/h - 0.2 - 2%  
7 GPM - 1:500 - 1:50  
0.5 - 5 bar  
7 - 70 psi



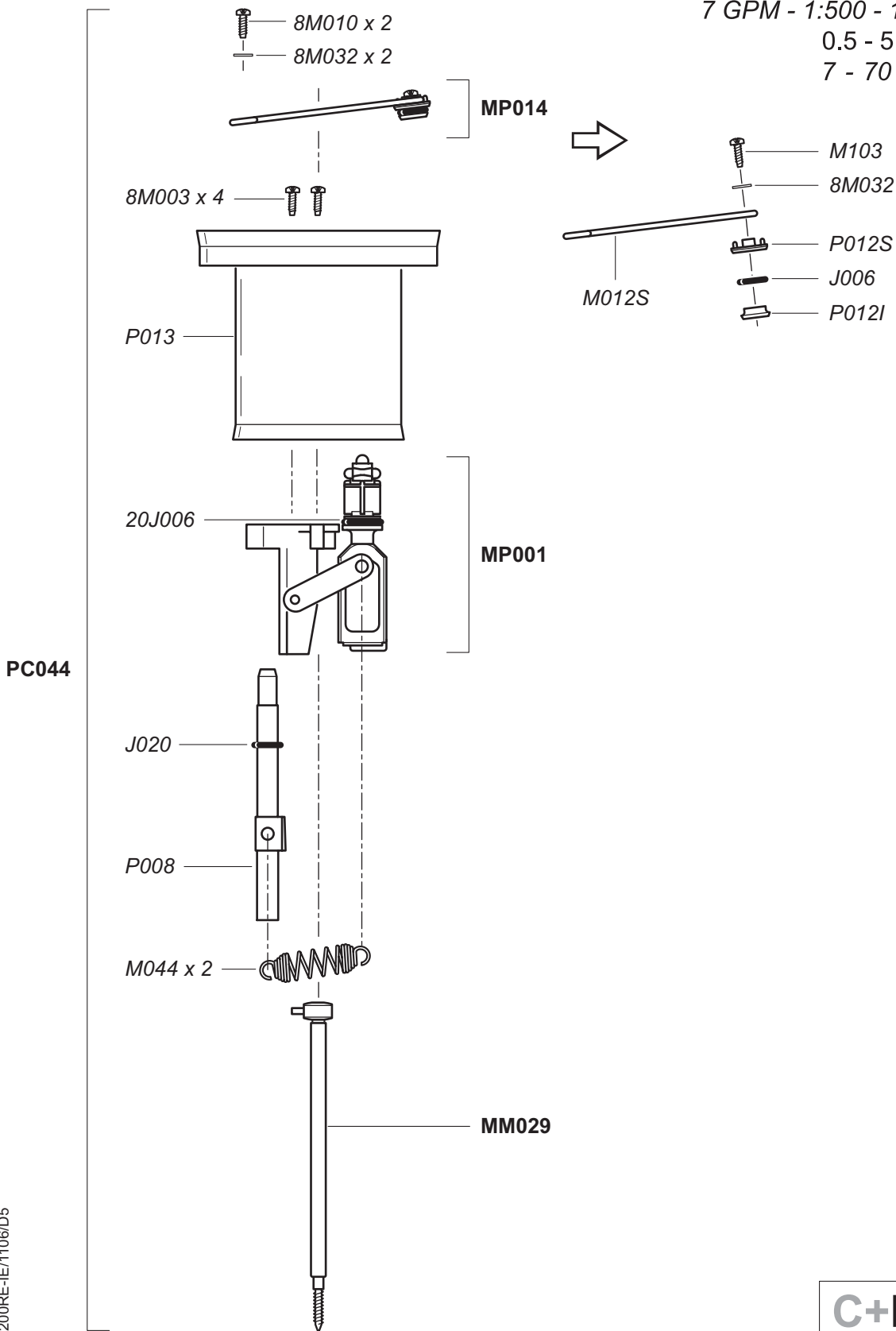
# D200RE-IE

1.5 m<sup>3</sup>/h - 0.2 - 2%  
7 GPM - 1:500 - 1:50  
0.5 - 5 bar  
7 - 70 psi



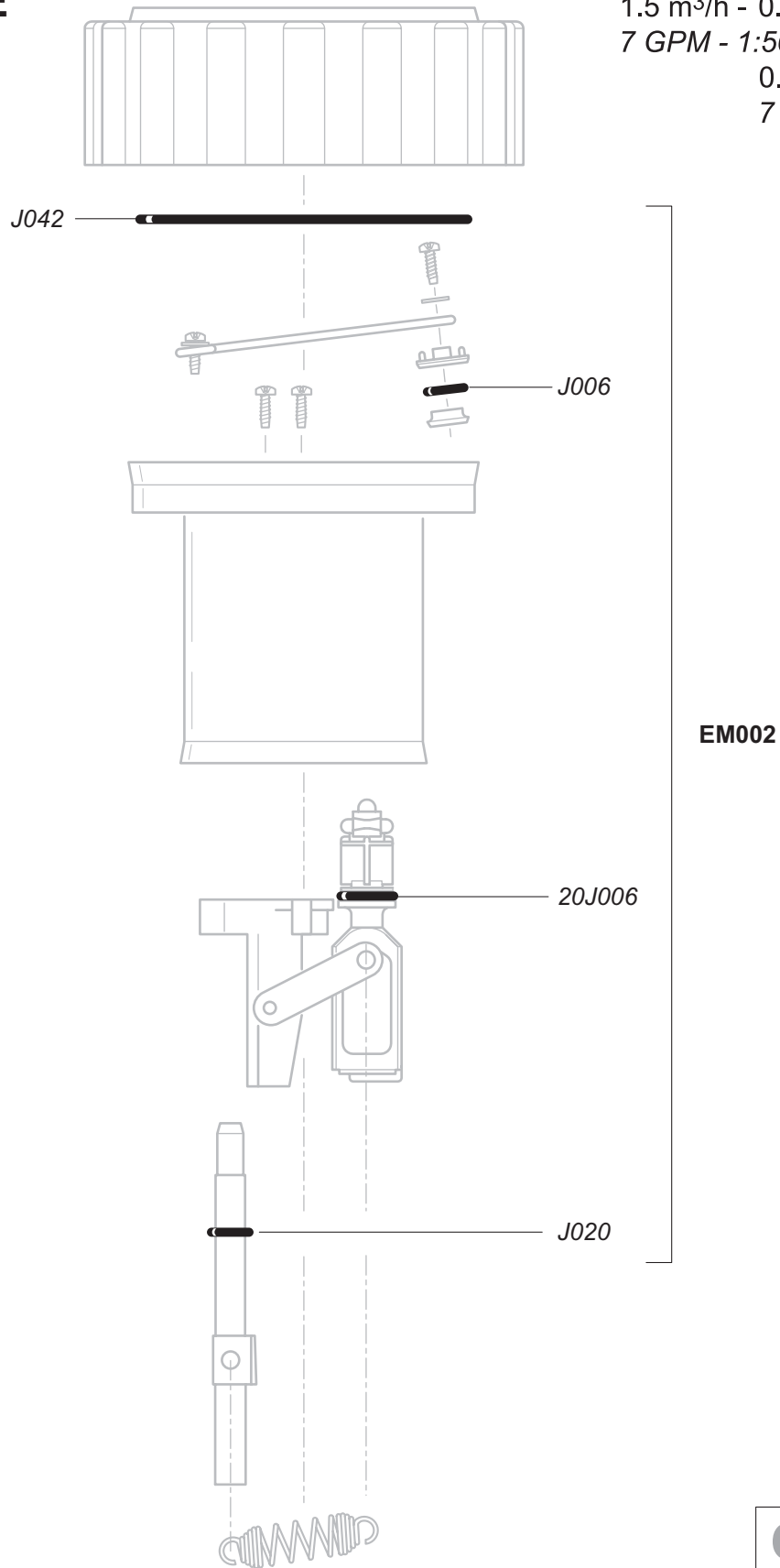
# D200RE-IE

1.5 m<sup>3</sup>/h - 0.2 - 2%  
 7 GPM - 1:500 - 1:50  
 0.5 - 5 bar  
 7 - 70 psi



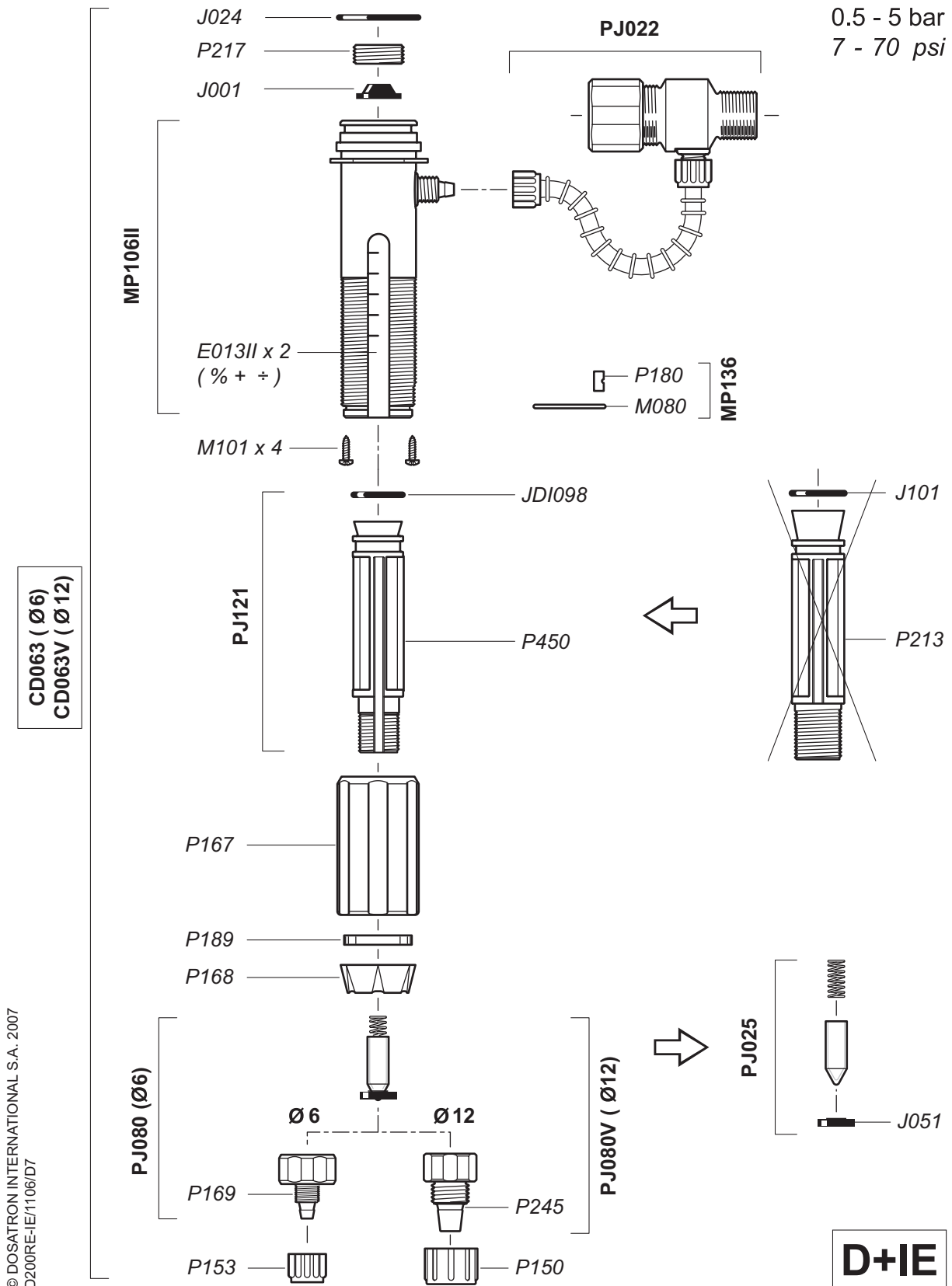
# D200RE-IE

1.5 m<sup>3</sup>/h - 0.2 - 2%  
7 GPM - 1:500 - 1:50  
0.5 - 5 bar  
7 - 70 psi



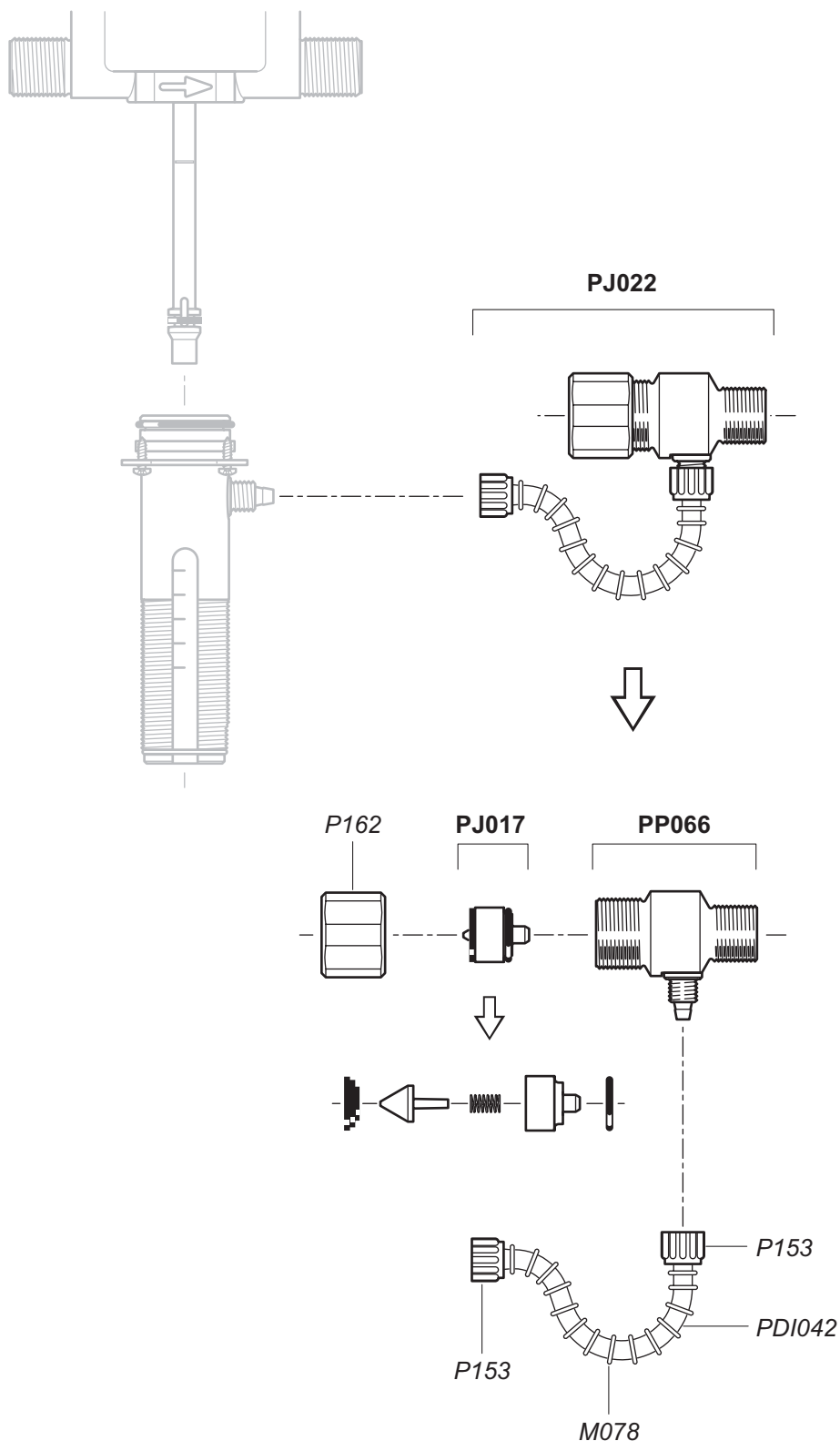
# D200RE-IE

1.5 m<sup>3</sup>/h - 0.2 - 2%  
 7 GPM - 1:500 - 1:50  
 0.5 - 5 bar  
 7 - 70 psi



# D200RE-IE

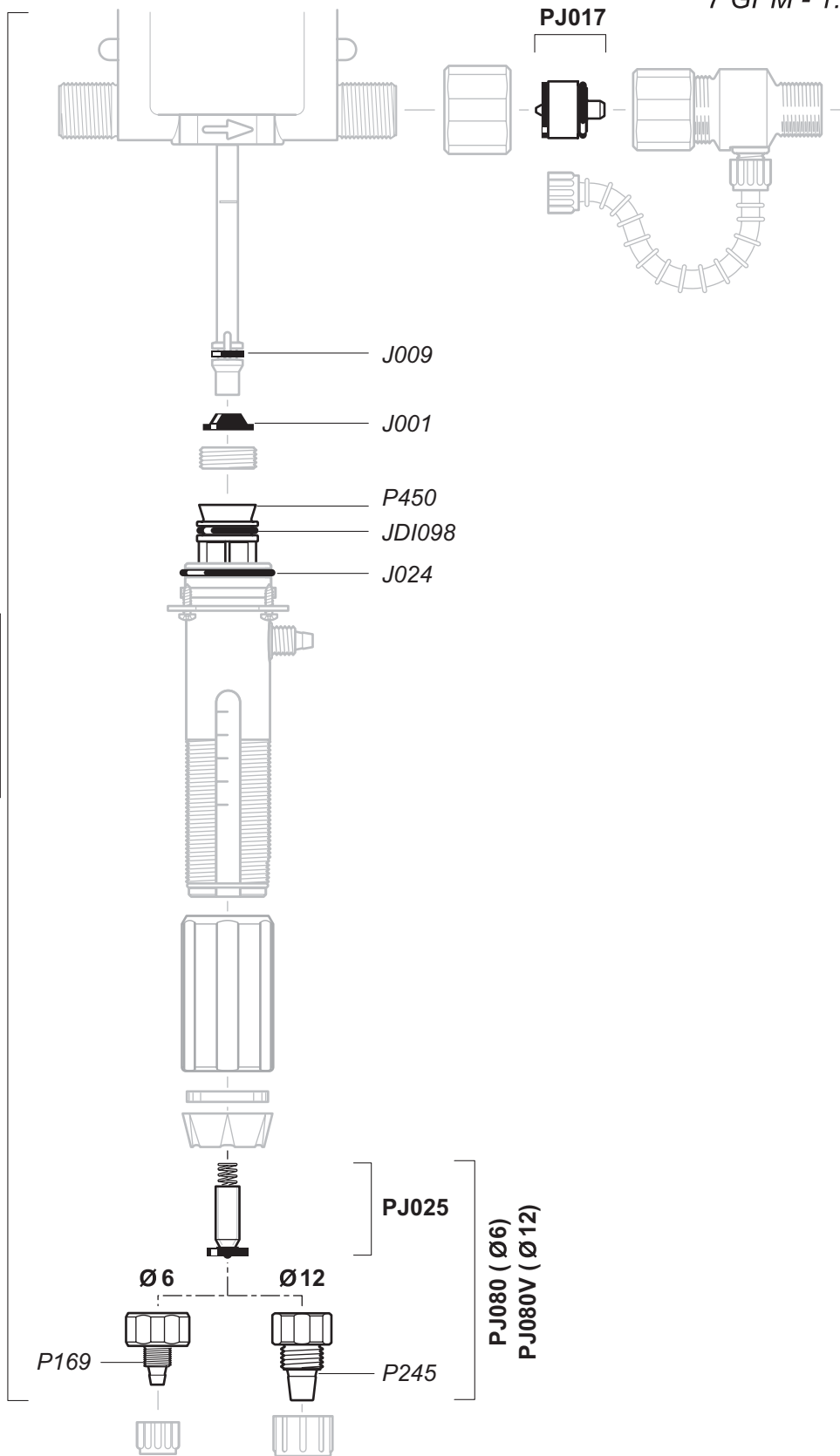
1.5 m<sup>3</sup>/h - 0.2 - 2%  
7 GPM - 1:500 - 1:50  
0.5 - 5 bar  
7 - 70 psi



# D200RE-IE

1.5 m<sup>3</sup>/h - 0.2 - 2%  
 7 GPM - 1:500 - 1:50  
 0.5 - 5 bar  
 7 - 70 psi

PJ089 (Ø6)  
 PJ089V (Ø12)



PJ025  
 PJ080 (Ø6)  
 PJ080V (Ø12)

# D200RE-IE

1.5 m<sup>3</sup>/h - 0.2 - 2%  
7 GPM - 1:500 - 1:50  
0.5 - 5 bar  
7 - 70 psi

